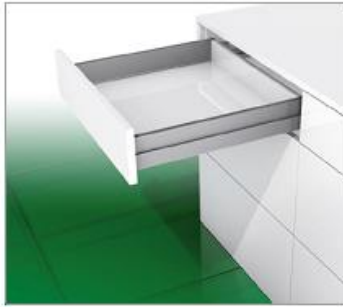


NOVA PRO SCALA

Drawers H90



- The practical standard drawer for all applications
- Can be personalised with designer panels
- Integrated height and side adjustment
- Optimum use of space due to straight inside surfaces and low construction width
- Robust design and high level of stability
- Tool-free installation and removal of the front
- Width of bottom and back panel is the same
- Bottom panel machining not required

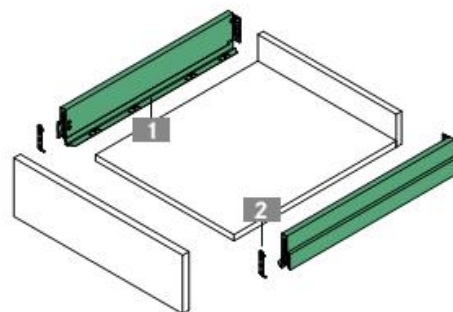
Packaging unit (PU):

- 123 = 100 items in PE
- 201 = 1 item in cardboard box (smallest PU = 10 units)
- 211 = 20 items in a cardboard box
- 250 = 1500 items in a cardboard box
- 328 = 150 items in a cardboard box
- 547 = 1000 items in PE in a cardboard box

ORDER INFORMATION

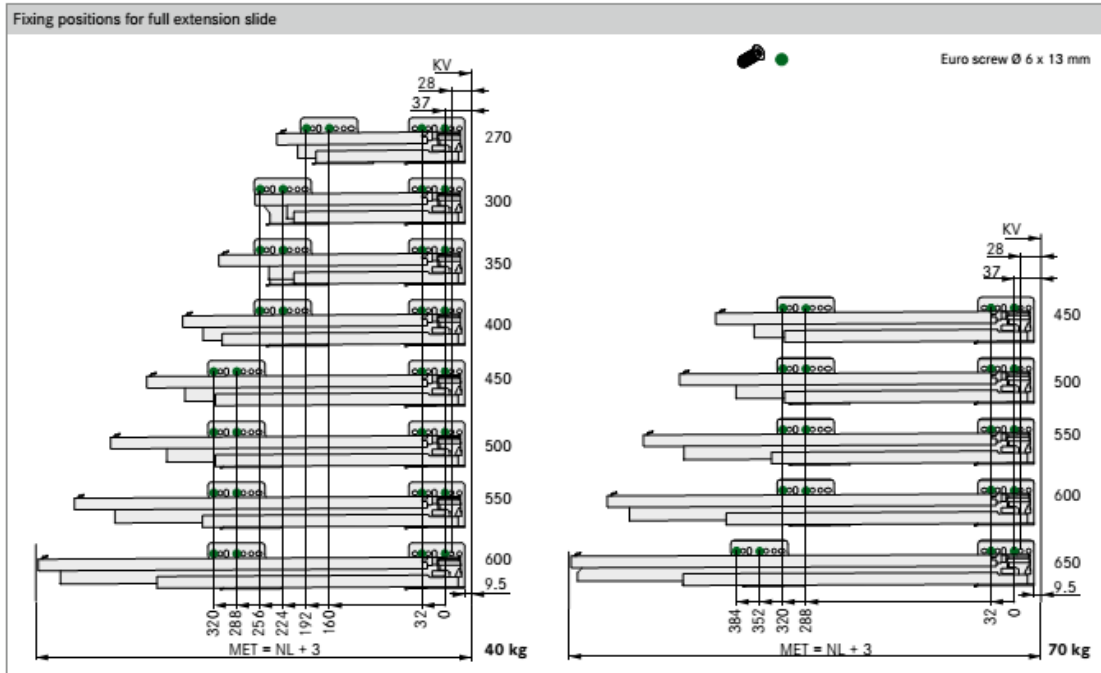
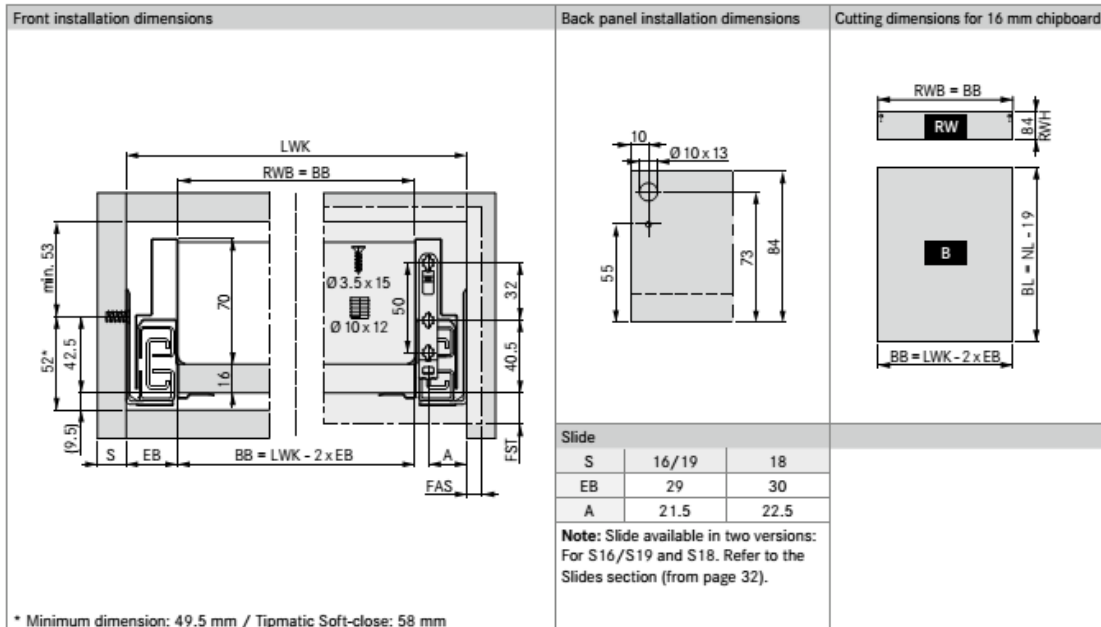
NL	Stone			Ice			Silver		
	Item No.	PU		Item No.	PU		Item No.	PU	
270	F100103108	201 211		F100103135	201 211		F100103162	201 211	
300	F100103111	201 211		F100103138	201 211		F100103165	201 211	
350	F100103114	201 211		F100103141	201 211		F100103168	201 211	
400	F100103117	201 211		F100103144	201 211		F100103171	201 211	
450	F100103120	201 211 328		F100103147	201 211 328		F100103174	201 211 328	
500	F100103123	201 211 328		F100103150	201 211 328		F100103177	201 211 328	
550	F100103126	201 211		F100103153	201 211		F100103180	201 211	
600	F100103129	201 211		F100103156	201 211		F100103183	201 211	
650	F100103132	201 211		F100103159	201 211		F100103186	201 211	

2 Installation hook			
Single item: Can be used on left/right			
	Description	Item No.	PU
32 mm	Expansion dowel	F102117719	547
50 mm	Expansion dowel	F102117720	123 547
32 mm	For press fitting	F102021854	123 250
50 mm	For press fitting	F102021153	123 250
	For screw fixing	F102021855	123 547



PLANNING DIMENSIONS

All dimensions in millimetres



LEGEND

B	Bottom panel	FST	Front overlay	NL	Nominal length
BB / BL	Bottom width / Bottom length	KV	Front edge of cabinet	RW	Back panel
EB	Construction width	LWK	Inside cabinet width	RWB	Width of back panel
FAS	Front overlay, side	MET	Minimum installation depth	RWH	Height of back panel